

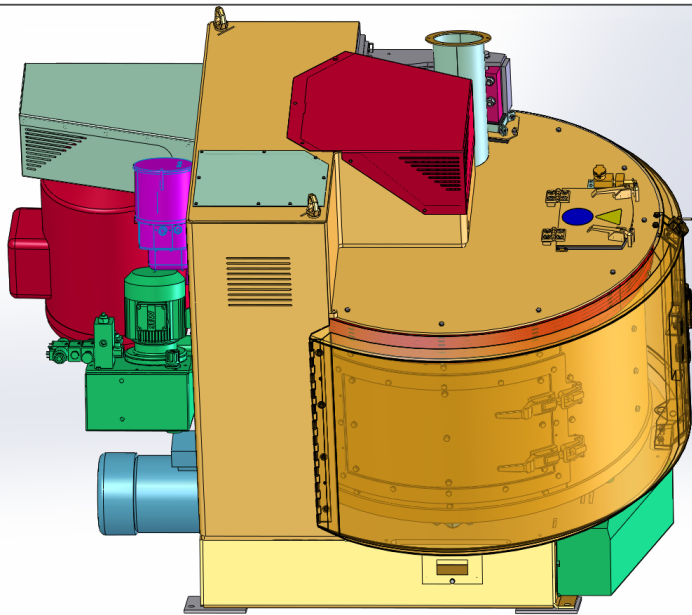
EIRICH Rebuild Kits

Customer Support

847-693-3700

customersupport@eirichusa.com

www.eirichusa.com



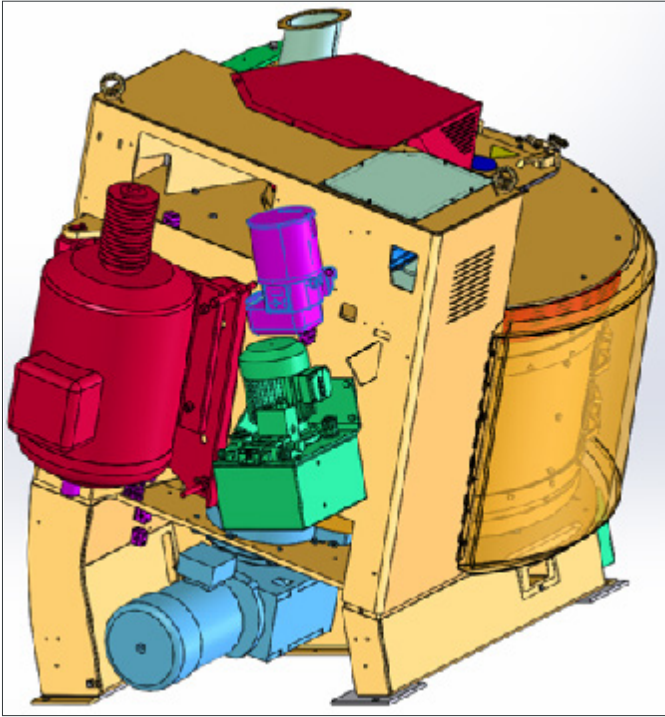
We recommend a **Rebuild Kit** when your **EIRICH intensive mixer** is better served by a full kit, rather than individual replacement parts.

Let Eirich Machines take the hassle out of reviewing and researching what needs to be replaced. Our experienced staff will pull the information together and provide a thought-out and comprehensive solution.

The Benefits:

- Minimal downtime for the repair, longevity of interfacing assemblies, and increased productivity of the intensive mixer as a whole.
- Our team will not just speak to a general arrangement drawing, they will provide to you a visual representation of the assembly in question. In doing so, you will see how the assembly impacts the mixer.
- Our kits are guaranteed to fit the first time without any modifications.
- All methods of fastening will be included in the kit so that the installation time will be optimized.
- For multiple mixers we package the rebuild kits on skid. Each skid is then labeled to the corresponding mixer, making your rebuild process clean and simple.

Ask us about these EIRICH Rebuild Kits:



Drive Motor Replacement Kits:

- Rotor motor (red)
- Hydraulic power unit (green)
- Pan drive gearmotor (blue)

High Wear Kits:

- Rotor tool & beater bars (green)
- Pan wall & bottom liners (blue)
- Pan lip seal (red)
- Wall scraper assembly (magenta)
- Discharge gate head assembly (yellow)
- Lubrication pumps (top picture)

