

# Bag Dump Workstations™

---

## APS Dust Control System

Filtered Bag Dump Stations

Non-Filtered Bag Dump Stations

- Efficient dust control
- Effortless system integration
- Clean and healthy work environment



**AMERICAN  
PROCESS SYSTEMS**  
EIRICH GROUP

The Pioneer in Material Processing®

# Modular Bag Dump Stations

- For easy integration into existing or new setups

Bag dump stations by American Process Systems® are modular in design and easily adaptable to fit into virtually any existing or future setup.

This intelligently engineered dust collection system provides dependable dust control by immediately drawing dust away from the operator. The result is a clean, healthy work environment, which complies with regulations set forth by government agencies such as OSHA (Occupational Safety & Health Administration) and local AQMD (Air Quality Management Districts).



## Technology & design benefits

- Efficient dust removal
- Controlled dust exposure
- Minimal loss of product
- Effortless system integration
- Clean and healthy work environment
- Simplified product charging

## Filtered station

- Efficient filtration
- In-line filter cleaning via alternating blasts of air
- Easy, tool-free filter replacement
- Light-weight, highly efficient wide pleat filter cartridges

## Non-filtered station

- Attaches to customer's centralized dust collection system
- Has no filters or blower system

## Installation

- On top of blender, welded or flanged
- Free-standing unit
- On top of APS Product Conditioner

## Filtered Bag Dump Stations

A quiet, specially designed, and internally mounted exhaust fan draws ambient air across the removable bar grating where bags or drums are being emptied.

### Keeping dust away from the worker

Over 1,000 cfm of air produces in excess of 200 fpm capture velocity at the point where the bags are being opened, keeping the dust out of the worker's environment.

### Full product recovery

Light-weight, wide pleat filter cartridges retain dust, then alternating blasts of compressed air pulse it back into the hopper or process below. Only clean, filtered air re-enters the plant.

Efficient dust removal means full product recovery, a clean work environment, no make up heating or cooling HVAC air considerations, and no ducting to a central bag house.

### User friendly and low maintenance

By removing the bar grating and air flow baffle, the heart of the dust control system is exposed. A simple swing-away cam arrangement allows the operator to quickly and easily replace or substitute the cartridge filters.

Changeover for different products is typically accomplished in less than two minutes.

Pulse jet air divertors provide efficient cartridge cleaning. Air is directed downward, spiraling around the inner wall of each cartridge.

Wide plate filter cartridges are available in PTFE felt, polyester, Gore-Tex Teflon, hydrophobic and oleophobic membrane.

Filtration efficiencies are possible to 99.97% retention on 0.3 microns.



Easy to remove filter cartridges captures dust particles as small as submicron size and return all airborne product to the hopper.



Pulse jet air divertors insure efficient cartridge cleaning. Timers control both frequency and duration of air blast.



Internally mounted fan, pulse jet cartridge cleaning divertors, and compressed air manifold.



## Applications

---

**Applications for bag dump stations include:**

- Bakery premix
- Soup mixes
- Spice mixes
- Dairy powders
- Flavored drink mixes
- Starch
- Vitamin premixes
- Nutraceuticals
- Pharmaceuticals
- Detergents
- Herbicides
- Pesticides
- Pigments and dyestuffs
- Calcium carbonate
- Carbon black

**And many more**

**+ Ask us about your application**



## FBD-200 Filtered, Flange-Mounted Bag Dump Work Station with Lift-Up Ferrogard

Hinged clean air plenum with blower assembly, inlet cone, lifting handles, toggle clamps, and Ferrogard "FRS-21" (24VDC) non-contact safety interlock switch to prevent blower from operating when plenum is opened. (Plenum opens 90° for blower removal) Fan rated 1000 CFM @ 6.5" W.C.

2 HP blower motor 230-460V / 60 Hz / 3Ph, 3600 RPM, 145TC frame

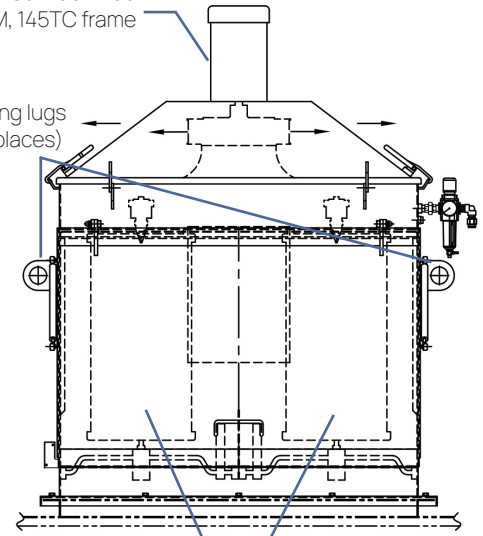
Lifting lugs (2-places)

Hinged lift-up access door with (2) gas springs and lifting handle. (Door opens 90°)

Removable air baffle

18" x 42" work area with removable square bar grating with Ferrogard "FRS-21" (24VDC) non-contact safety interlock to prevent blender operation if grate is removed.

Electrical enclosure (NEMA 4X SS with (2) solenoid valves (240DC 3A-200VA Max. output)



(2) food grade spun bond polyester with PTFE membrane, wide pleat filter cartridges, for a total 100 ft<sup>2</sup> of filtration area. End caps and internal mesh are SS

## FBD-200 Non-Filtered, Flange-Mounted Bag Dump Work Station with Lift-Up Trap Key

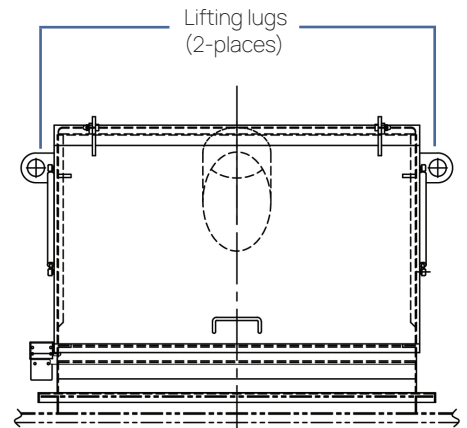
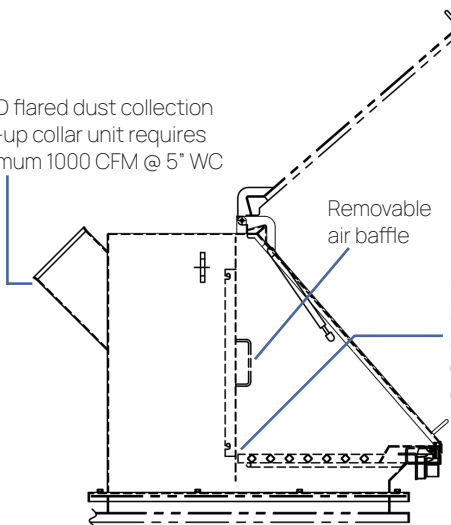
8" OD flared dust collection pick-up collar unit requires minimum 1000 CFM @ 5" WC

Hinged lift-up access door with (2) gas springs and lifting handle. (Door opens 90°)

Removable air baffle

18" x 42" work area with removable square bar grating and trapped key safety interlock to prevent blender operation if grate is removed. Trapped key exchange is mounted on blender.

Lifting lugs (2-places)



# Options Tailored to Your Application

## Engineered Solutions

The APS bag dump stations have evolved based on specific customer application and process requirements. The bag dump stations(s) can be tailored to your needs, below are examples of optional design features that we offer.

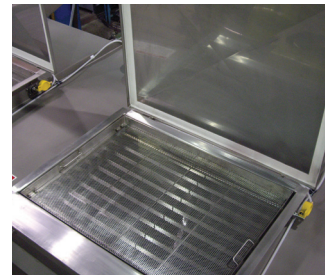
- Extra wide bag dump station
- Filtered bag dump with bulk bag nozzle
- 2" deep vibrated tray with external pneumatic vibrators on bag dump and blender
- Non-filtered bag dump with adjustable damper in exhaust port
- Non-filtered bag dump with spout for bulk bags
- Non-filtered bag dump with lift-up, bi-fold door and vibrated screener
- Flow aids for sluggish powders including bridge breaker and air pads
- Combination bag/drum dump station with rotary air lock feeder connected to pneumatic conveying system.



Wide bag dump station



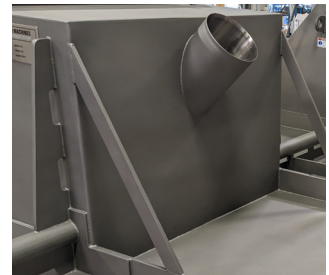
FBD with bulk bag nozzle



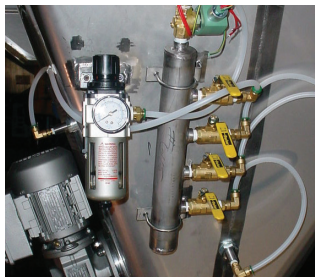
Vibrated tray



Exhaust with adjustable damper



NBD with spout for bulk bags



Flow aids for sluggish powders



NBD with lift-up, bi-fold door



Bag dump on blender with side access covers



NBD on pneumatically lifted blender cover



NEMA 4/12 water tight timer and Magnehelic differential pressure guage



NEMA 4X-SS water tight combination pulse jet timer, FVNR starter and disconnect



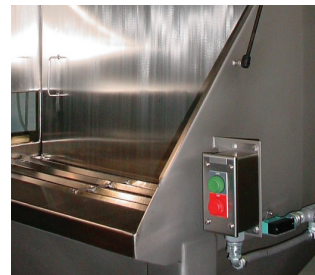
Extended hopper



FBD with surge hopper extended to accomodate customer's bulk bag discharge frame



NEMA 9/XP dust electricals



NEMA 4X-SS start/stop buttons



Height saving, inverted fan and motor, and NEMA 4/12 water tight enclosure

- Bag dump on blender with two side access covers
- Filtered bag dump with extended hopper for extra storage connected to flexible screw conveyer
- Non-filtered bag dump incorporated into pneumatically lifted blender cover
- Filtered bag dump with surge hopper extended to accomodate customer's bulk bag discharge frame
- Filtered bag dump with NEMA 4/12 water tight timer and Magnehelic differential pressure guage
- NEMA 9/XP dust electricals
- NEMA 4X-SS water tight combination pulse jet timer, FVNR starter and disconnect
- NEMA 4X-SS start/stop push buttons
- Filtered bag dump with height saving, inverted fan and motor, NEMA 4/12 water tight enclosure



**AMERICAN  
PROCESS SYSTEMS**  
EIRICH GROUP

Eirich Machines, part of worldwide Eirich Group, is an international supplier of machinery, systems, and services for material processing. With the two product lines EIRICH and American Process Systems® (APS), we offer the most comprehensive range of mixers, blenders, pelletizers, dryers, and grinding mills. Eirich Machines is your one-stop shop for all material processing needs with sales, test lab, engineering, production, and customer support in one location.

**Our APS product line includes:**

- Fluidizing Paddle Blenders
- Ribbon Blenders
- Paddle-Ribbon Blenders
- Paddle Blenders
- Plow Blenders
- Dryers/Reactors

**Eirich Machines, Inc.**

4033 Ryan Road

Gurnee, IL 60031

847-336-2444

eirich@eirichusa.com

**In-house test lab & rentals**

**Customer Support for service & parts**

---

For more information visit us at:

**[www.eirichusa.com](http://www.eirichusa.com)**